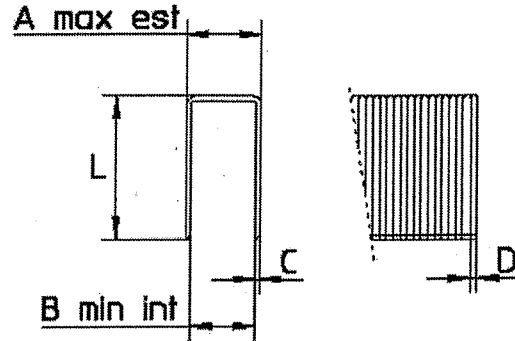
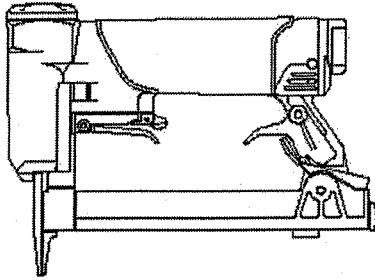


R1B SR5-16 TECHNICAL DATA

1) TOOL TYPE



2) TOOL CHARACTERISTICS

HEIGHT	WIDTH	LENGTH	WEIGHT
157 mm.	42 mm.	218 mm.	0.830 kg.
MIN-MAX WORKING PRESSURE		60 / 100 PSIG 4 / 7 BAR	
AIR CONSUMPTION PER SHOT		PERFORMANCES AT 90 psi (0.62 MPa) 0.37 l.	
LUBRICANT		BCN2617 500ml	

3) FASTENER DATA

A) OUTSIDE CROWN	MAX	12.60 mm.
B) INSIDE CROWN	MIN	10.50 mm.
CxD) WIRE		1.00 x 1.20 mm.
L) LENGTH	MIN-MAX	6 - 15 mm.
MAGAZINE CAPACITY		110 staples

* ACTUATION SYSTEM	1 (SAFETY : MANUAL)
--------------------	---------------------

* LOADING	<input checked="" type="checkbox"/> BOTTOM LOADING
	<input type="checkbox"/> SIDE LOADING
	<input type="checkbox"/> TOP LOADING
	<input type="checkbox"/> COIL
	<input type="checkbox"/> OTHER

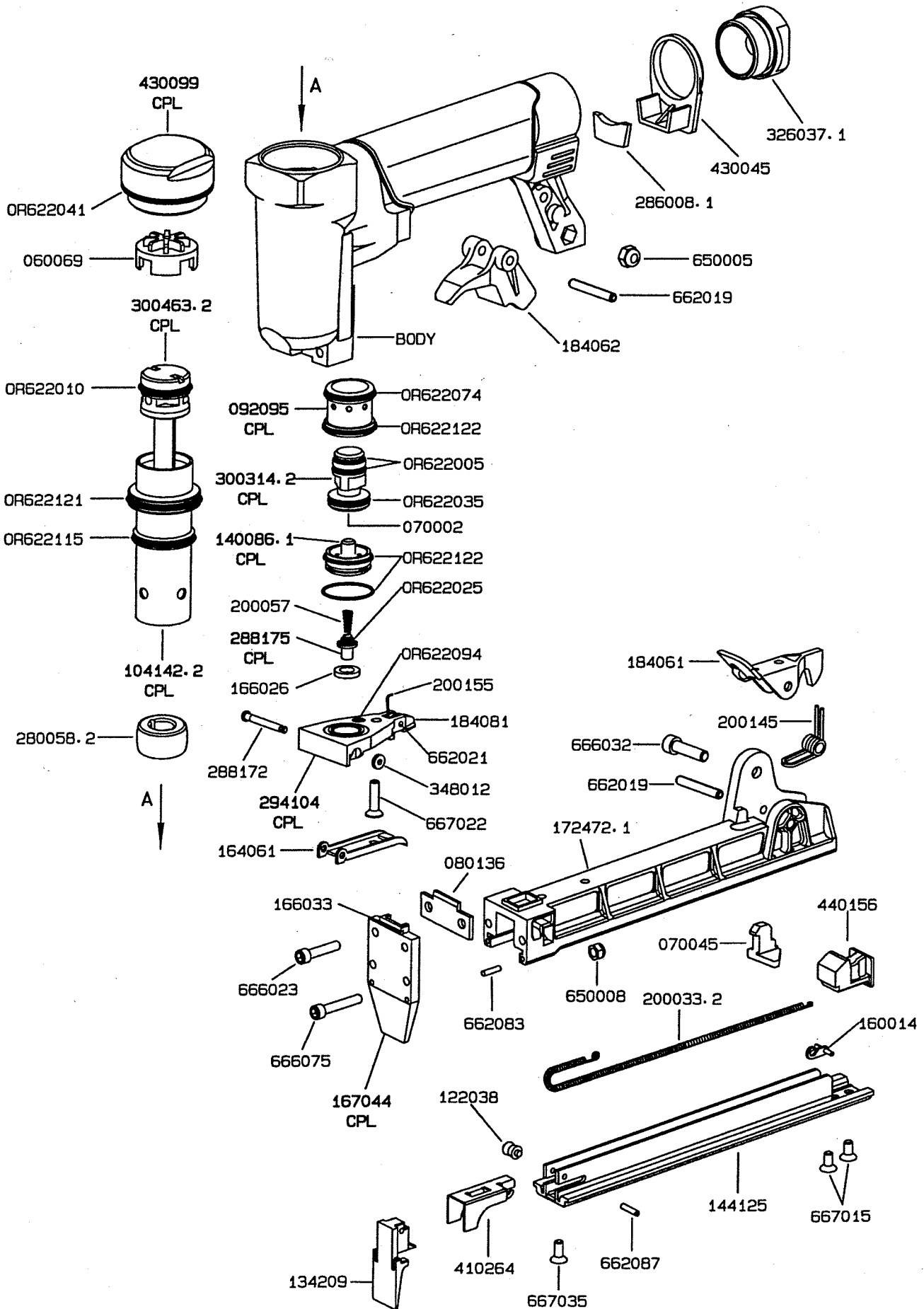
* SEE INSTRUCTION MANUAL

NOISE CHARACTERISTICS	EN 792-13	$L_{WA,1s}$: 89.02 dB(A) - $K_{WA,1s}$: 2.5
	EN 12549	$L_{pA,1s}$: 79.70 dB(A) - $K_{pA,1s}$: 2.5
	EN ISO 4871	

VIBRATION VALUE	ISO 8662 IS BELOW THE DECLARATION LIMIT SET BY	EN 292 1ADD.A
-----------------	--	------------------

R1B SR5-16 AIR STAPLER

• PLASTIC •



Code	RSP	Qty	Description
000060069		1	RING
000070002	R	1	BUFFER
000070045	R	1	BUFFER
000080136		1	REST
000092095		1	BUSH
000104142.2		1	CYLINDER
000122038		1	PULLEY
000134209		1	NOSE RAIL
000138568		1	BODY
000140086.1		1	TRIGGER VALVE
000144125		1	SLIDER
000160014		1	HOOK
000164061		1	TRIGGER
000166026	R	1	GASKET
000166033	R	1	GASKET
000167044		1	PLATE
000172472.1		1	LOADER
000184061		1	CATCH
000184062		1	CATCH
000184081		1	CATCH
000200033.2	R	1	SPRING
000200057	R	1	SPRING
	R	1	SPRING
000200155	R	1	SPRING
000280058.2	R	1	BUMPER
000286008.1		1	MUFFER
000288172		1	PIN
000288175		1	PIN
000294104		1	PLATE
000300314.2		1	PISTON
000300463.2	R	1	DRIVER PISTON
000326037.1		1	ADAPTER
000348012		1	SPACER
000410264	R	1	PUSHER
000430045		1	COVER
000430099		1	CAP
000440156		1	SLOT
000622005	R	2	O-RING
000622010	R	1	O-RING
000622025	R	1	O-RING
000622035	R	1	O-RING
000622041	R	1	O-RING
000622074	R	1	O-RING
000622094	R	1	O-RING
000622115	R	1	O-RING
000622121	R	1	O-RING
000622122	R	3	O-RING
000650005	R	1	NUT
000650008	R	2	NUT
000662019	R	2	PIN
000662021	R	1	PIN
000662083	R	2	PIN
000662087	R	1	PIN
000666023	R	2	SCREW
000666032	R	1	SCREW
000666075	R	2	SCREW
000667015	R	2	SCREW
000667022	R	1	SCREW
000667035	R	1	SCREW

R=Recommended spare parts